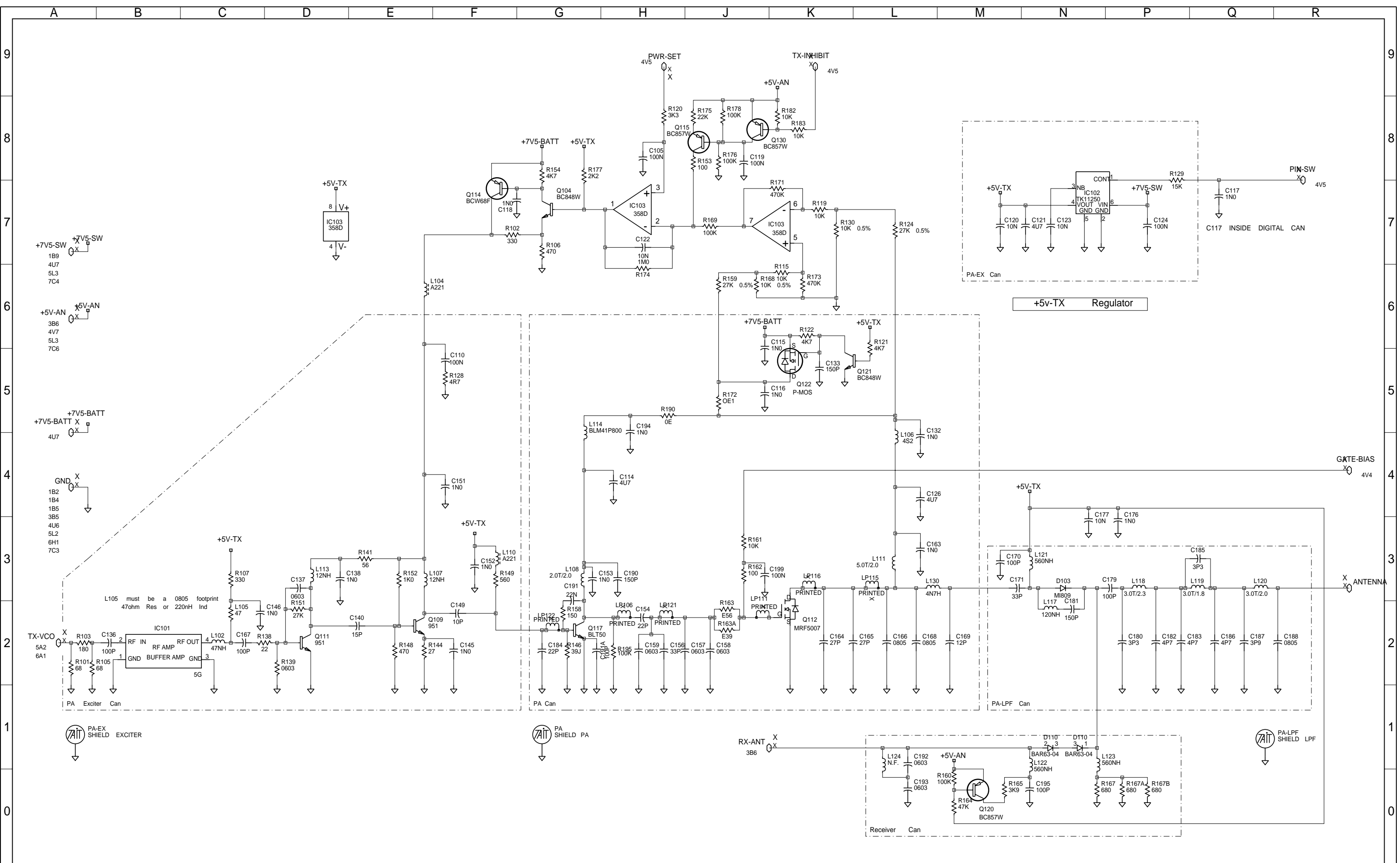


22WAY SIDE ENTRY FLEXI BRD SKT  
 12 WAY SKT

05	MOREUPDATES	DBH	X	X	X	X
04	UPDATED AND MOVED AERIAL SOCKET	MAJ				
03	B	MAJ				
03	UPDATED VALUES ADDED CANS TO PLA	MAJ				
REV/ISS	AMENDMENTS	DRAWN	CHKD	D.O.	APVD	DATE

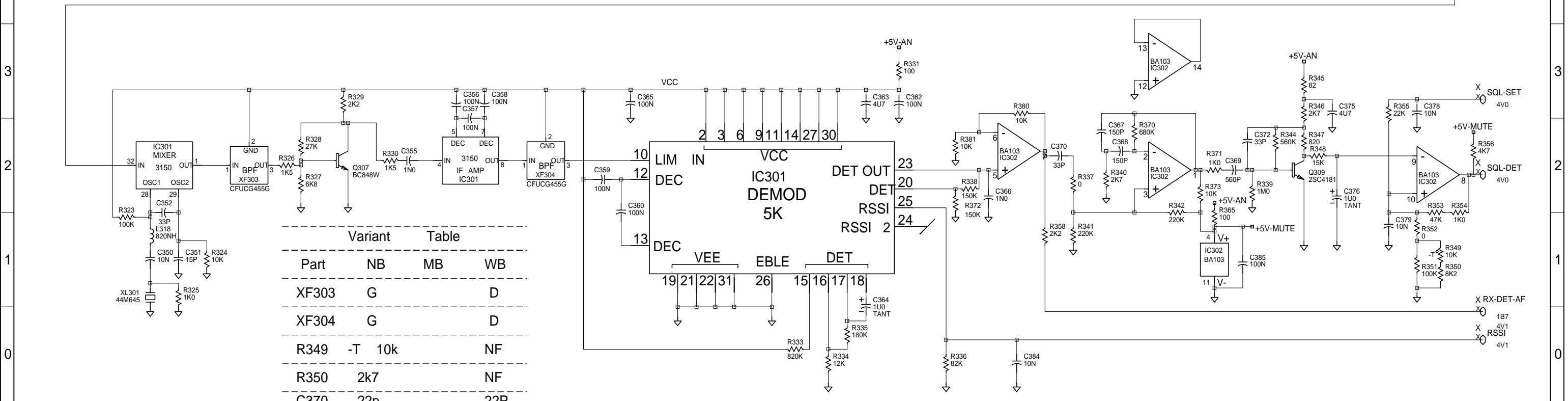
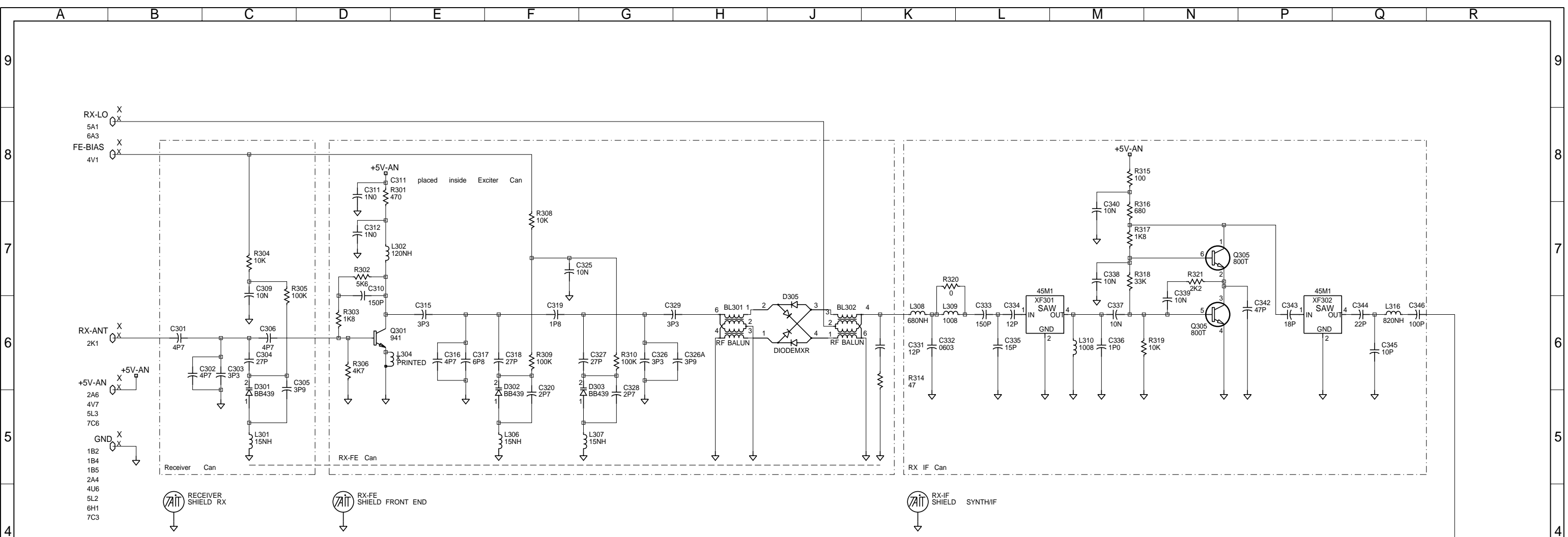
© **TAIT ELECTRONICS**  
 ORCA :TP010-5122 400-440MHZ  
 SYSTEM DIAGRAM

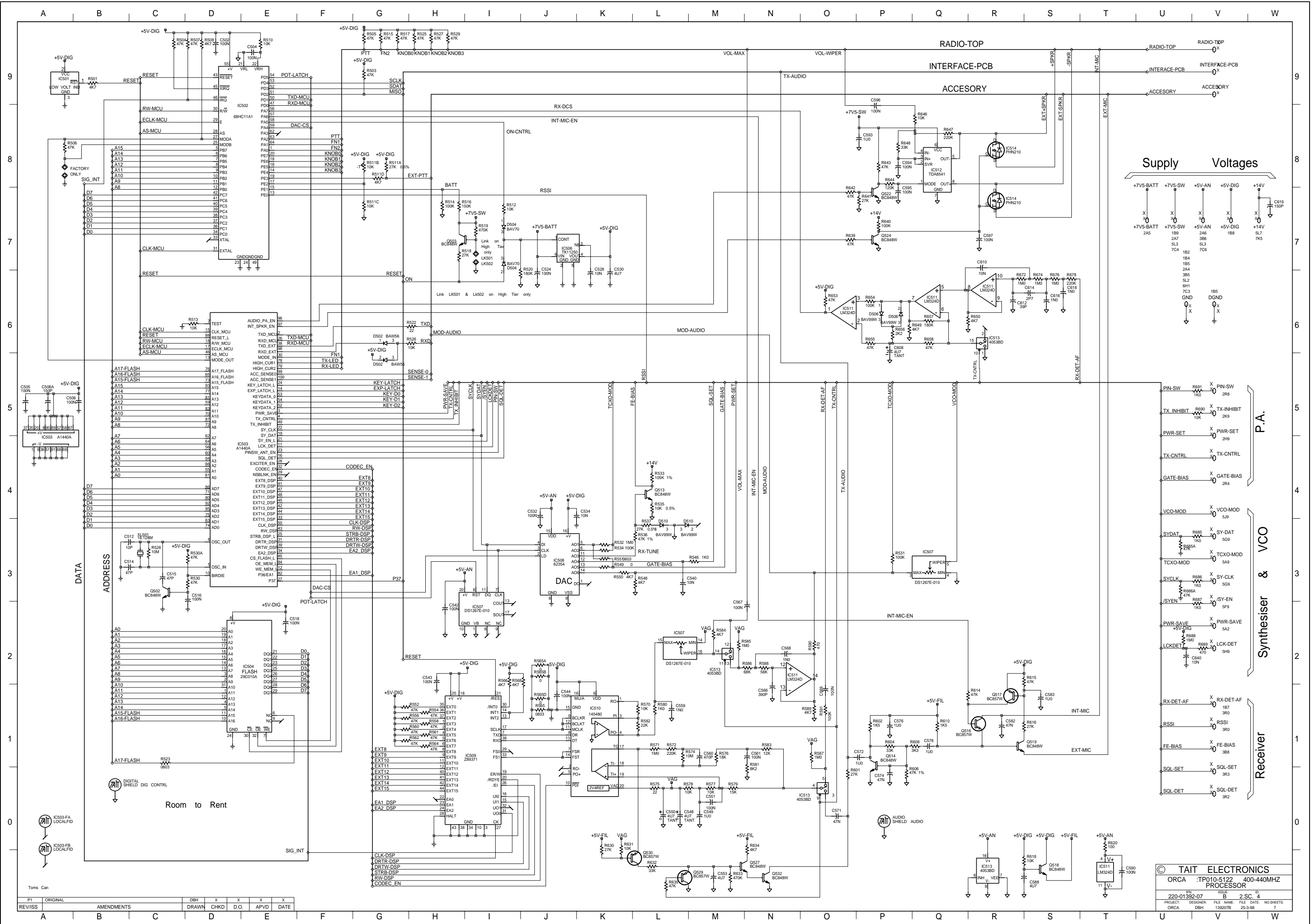
IPN: B ID: 2.S.C. 1  
 PROJECT: 220-01392-07 DESIGNER: DBH FILE NAME: 139207B FILE DATE: 25-3-98 NO.SHEETS: 7



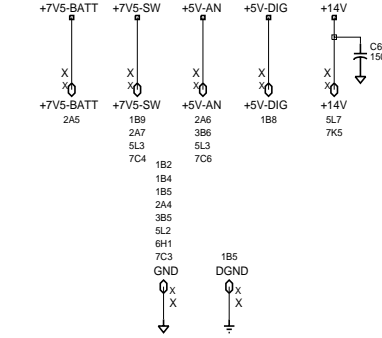
© TAIT ELECTRONICS  
 ORCA :TP010-5122 400-440MHZ  
 POWER AMPLIFIER  
 IPN: B ISSUE: ID:  
 220-01392-07 B 2.S.C. 2  
 PROJECT: DESIGNER: FILE NAME: FILE DATE: NO.SHEETS:  
 ORCA DBH 139207B 25-3-98 7

REV/ISS	AMENDMENTS	DRAWN	CHKD	D.O.	APVD	DATE
A						
B						
C						
D						
E						





**Supply Voltages**

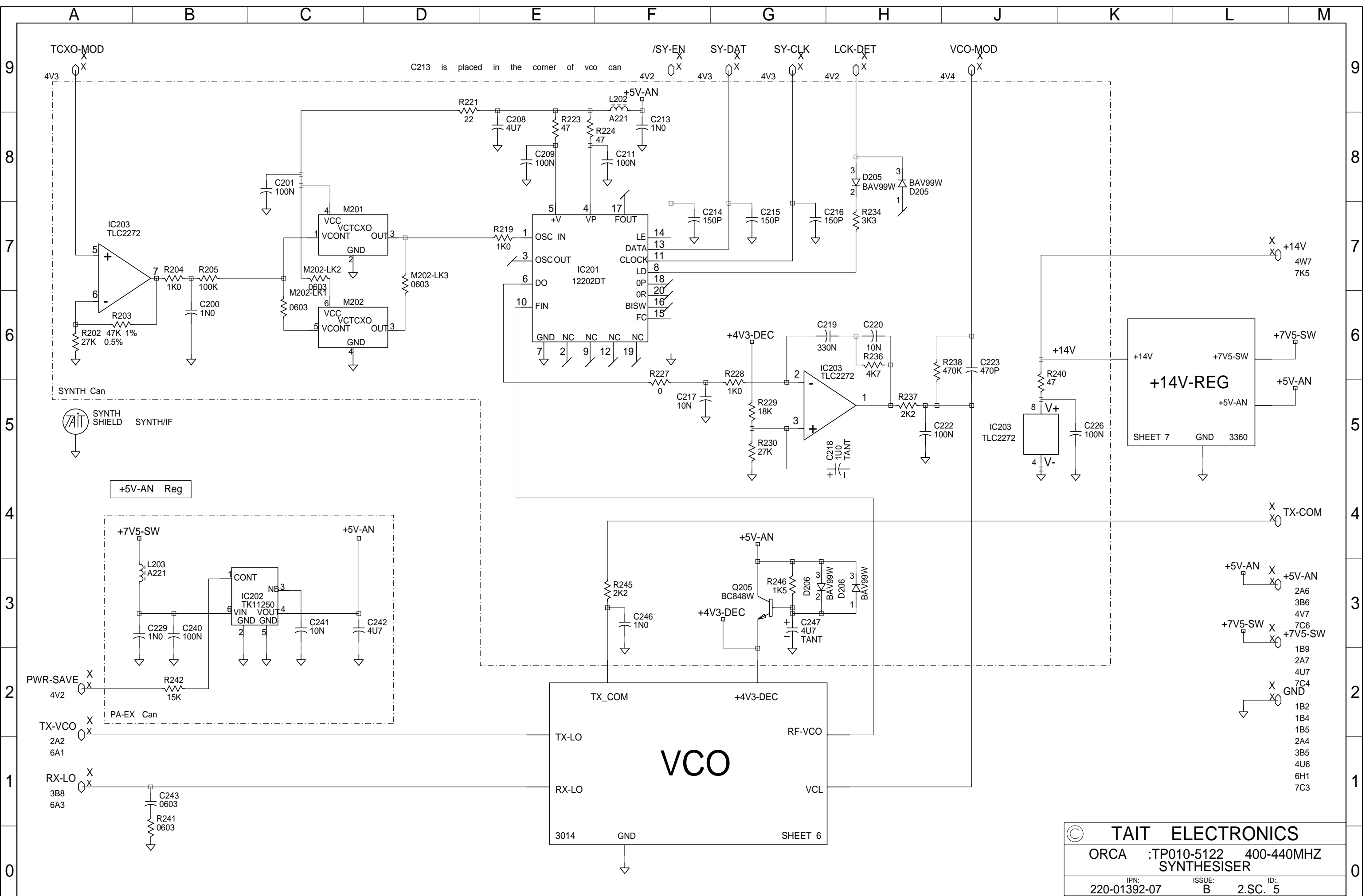


- PIN-SW X PIN-SW 2R8
- TX-INHIBIT X TX-INHIBIT 2K9
- PWR-SET X PWR-SET 2H9
- TX-CNTRL X TX-CNTRL
- GATE-BIAS X GATE-BIAS 2R4
- VCO-MOD X VCO-MOD 5I9
- SYDAT X SY-DAT 5G9
- TCXO-MOD X TCXO-MOD 5A9
- SYCLK X SY-CLK 5G9
- SYEN X SY-EN 5F9
- PWR-SAVE X PWR-SAVE 5A2
- LCKDET X LCK-DET 5H9
- RX-DET-AF X RX-DET-AF 1B7 3R0
- RSSI X RSSI 3R0
- FE-BIAS X FE-BIAS 3B8
- SOL-SET X SOL-SET 3R3
- SOL-DET X SOL-DET 3R2

© TAIT ELECTRONICS  
 ORCA :TP010-5122 400-440MHZ  
 PROCESSOR  
 220-01392-07 B 2-SC 4  
 PROJECT DESIGNER FILE NAME FILE DATE NO SHEETS  
 ORCA DBH 138207B 25-3-98 7

REV/ISS	ORIGINAL	AMENDMENTS	DBH	X	X	X	X
			DRAWN	CHKD	D.O.	APVD	DATE
A							
B							
C							
D							
E							

Toms Can



C213 is placed in the corner of vco can

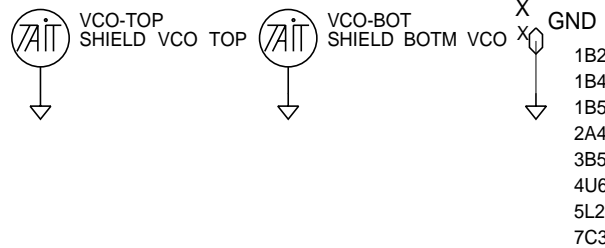
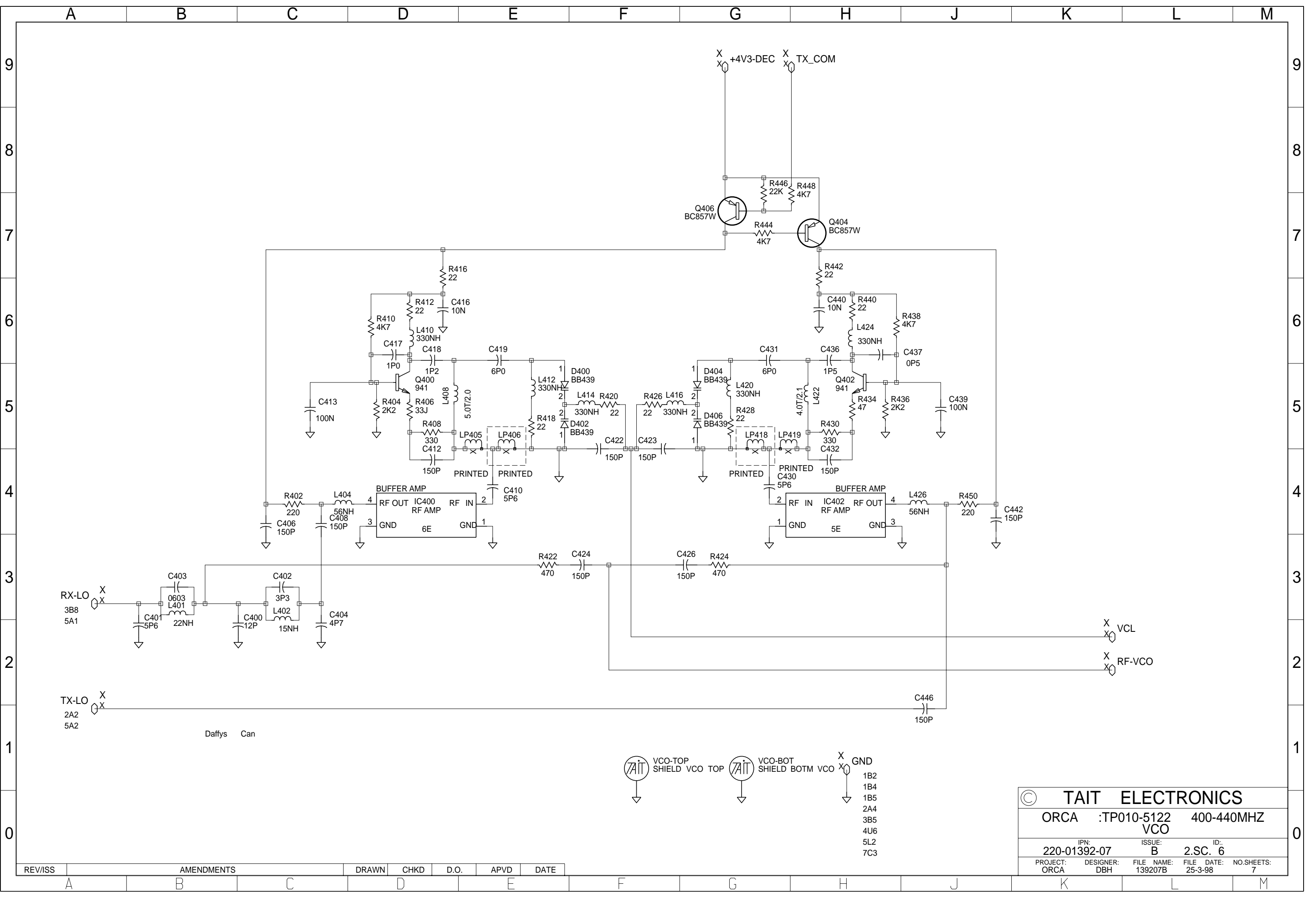
**+14V-REG**  
SHEET 7  
GND 3360

**VCO**  
3014  
GND  
SHEET 6

© TAIT ELECTRONICS				
ORCA :TP010-5122 400-440MHZ SYNTHESISER				
IPN:	ISSUE:	ID:		
220-01392-07	B	2.SC. 5		
PROJECT:	DESIGNER:	FILE NAME:	FILE DATE:	NO.SHEETS:
ORCA	DBH	139207B	25-3-98	7

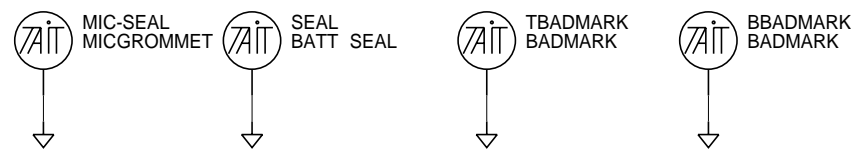
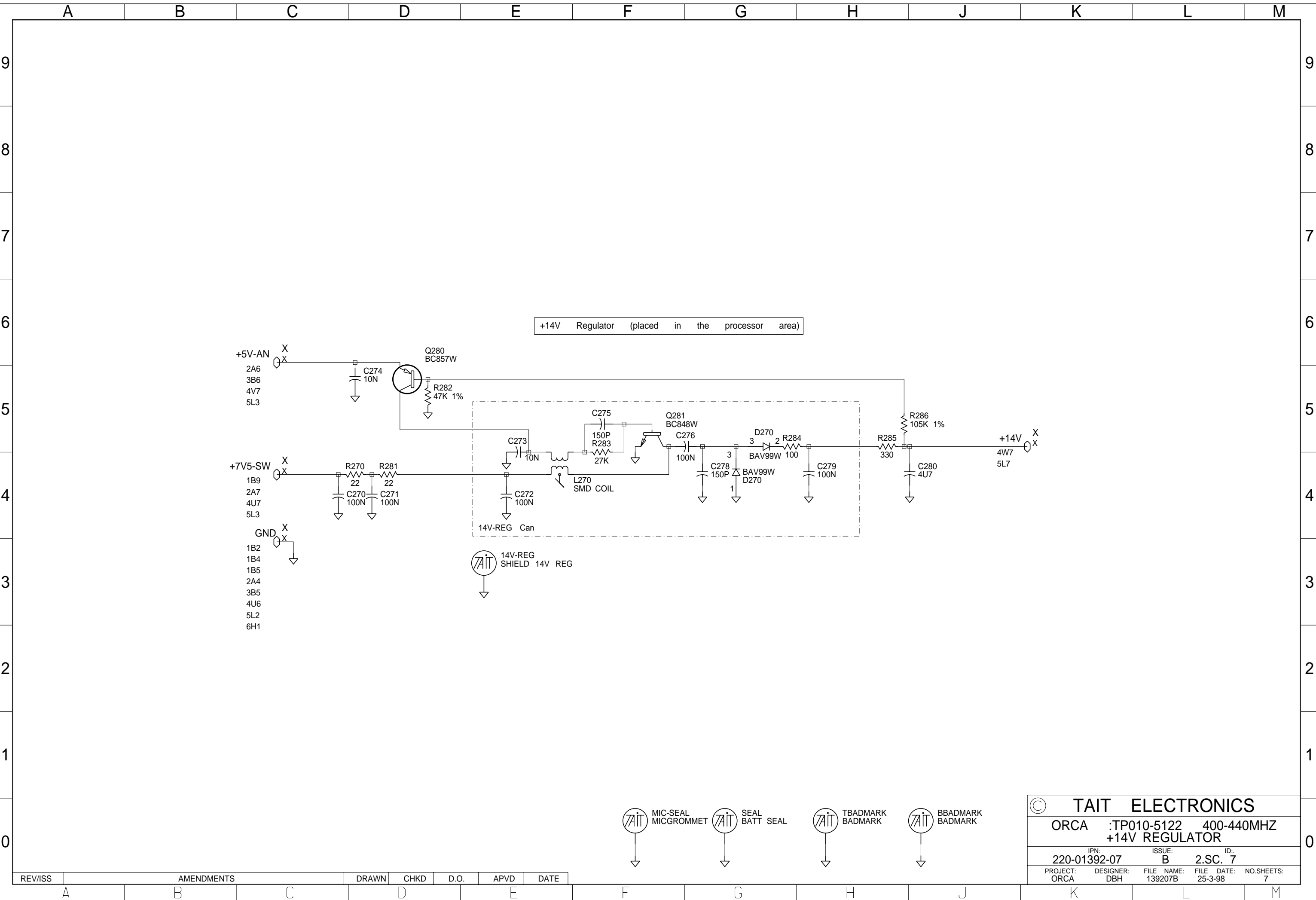
REV/ISS	AMENDMENTS	DRAWN	CHKD	D.O.	APVD	DATE

- X +5V-AN 2A6
- X +5V-AN 3B6
- X +5V-AN 4V7
- X +7V5-SW 7C6
- X +7V5-SW 7C4
- X GND 1B9
- X GND 2A7
- X GND 4U7
- X GND 7C4
- X GND 1B2
- X GND 1B4
- X GND 1B5
- X GND 2A4
- X GND 3B5
- X GND 4U6
- X GND 6H1
- X GND 7C3



© TAIT ELECTRONICS				
ORCA	:TP010-5122	400-440MHZ	VCO	
IPN:	ISSUE:	ID:		
220-01392-07	B	2.SC. 6		
PROJECT:	DESIGNER:	FILE NAME:	FILE DATE:	NO.SHEETS:
ORCA	DBH	139207B	25-3-98	7

REV/ISS	AMENDMENTS	DRAWN	CHKD	D.O.	APVD	DATE



© TAIT ELECTRONICS				
ORCA		:TP010-5122	400-440MHZ	
+14V REGULATOR				
IPN:		ISSUE:		ID:
220-01392-07		B		2.SC. 7
PROJECT:	DESIGNER:	FILE NAME:	FILE DATE:	NO.SHEETS:
ORCA	DBH	139207B	25-3-98	7

REV/ISS	AMENDMENTS	DRAWN	CHKD	D.O.	APVD	DATE
---------	------------	-------	------	------	------	------